

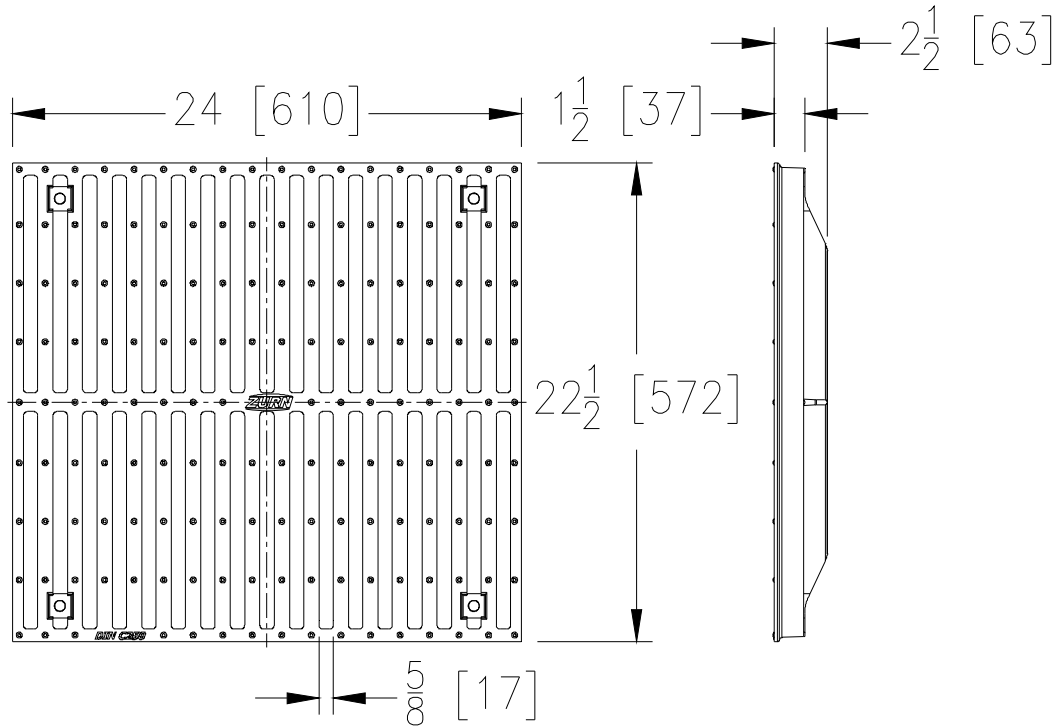


**P817-DGC-24X24**  
24 [610] Wide Slotted Grate

Dimensional Data (inches and [ mm ]) are Subject to Manufacturing Tolerances and Change Without Notice

[Back to Index](#)

| Please Check<br>✓ | Item No. | Part Number | Item I.D.      |
|-------------------|----------|-------------|----------------|
|                   | 1        | 60332       | P817-DGC-24X24 |



**DGC GRATE ENGINEERING SPECIFICATION:** The Zurn P817-DGC-24X24 Slotted Grate, Ductile Iron, 24 inches wide by 22-1/2 inches long, weighing 95.8 lbs. The grate has an open area of 228.8 square inches, DIN Rating of C, ANSI Rating of Heavy-Duty, and H-20 load rated.

| <b>DGC - Slotted Grate</b> |                       |
|----------------------------|-----------------------|
| Material:                  | Ductile Iron          |
| DIN Rating:                | Class C               |
| Weight:                    | 95.8 lbs.             |
| Open Area:                 | 228.8 in <sup>2</sup> |
| ANSI Rating:               | Heavy-Duty            |
| Application:               | Heavy Vehicle & Truck |
| Slot Width/Hole Size:      | 11/16                 |
| ADA:                       | No                    |
| H-20:                      | Yes                   |
| FAA:                       | No                    |

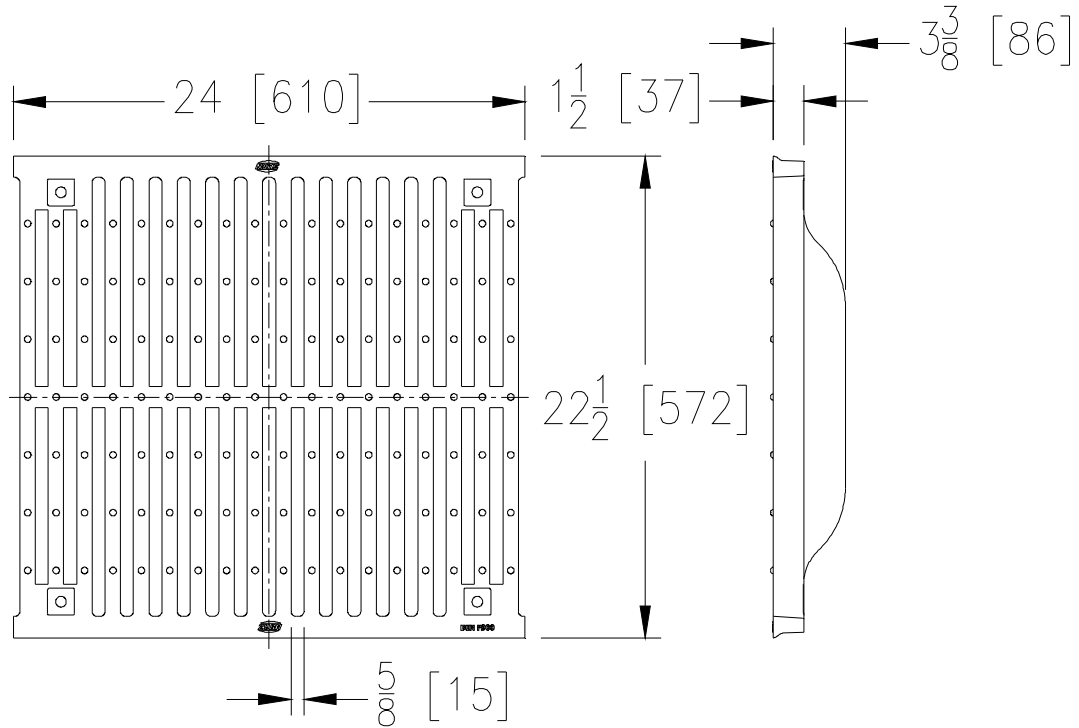


**P817-DGF-24X24**  
24 [610] Wide SlottedGrate

Dimensional Data (inches and [ mm ]) are Subject to Manufacturing Tolerances and Change Without Notice

[Back to Index](#)

| Please Check<br>✓ | Item No. | Part Number | Item I.D.      |
|-------------------|----------|-------------|----------------|
|                   | 2        | 82310       | P817-DGF-24X24 |



**DGF GRATE ENGINEERING SPECIFICATION:** The Zurn P817-DGF-24X24 Slotted Grate, Ductile Iron, 24 inches wide by 22-1/2 inches long, weighing 115.1 lbs. The grate has an open area of 206.4 square inches, DIN Rating of F, ANSI Rating of Special Duty, H-20 load rated and FAA load rated.

| <b>DGF - Slotted Grate</b> |                       |
|----------------------------|-----------------------|
| Material:                  | Ductile Iron          |
| DIN Rating:                | Class F               |
| Weight:                    | 115.1 lbs.            |
| Open Area:                 | 206.4 in <sup>2</sup> |
| ANSI Rating:               | Special-Duty          |
| Application:               | Dynamic Loads         |
| Slot Width/Hole Size:      | 5/8                   |
| ADA:                       | No                    |
| H-20:                      | Yes                   |
| FAA:                       | Yes                   |

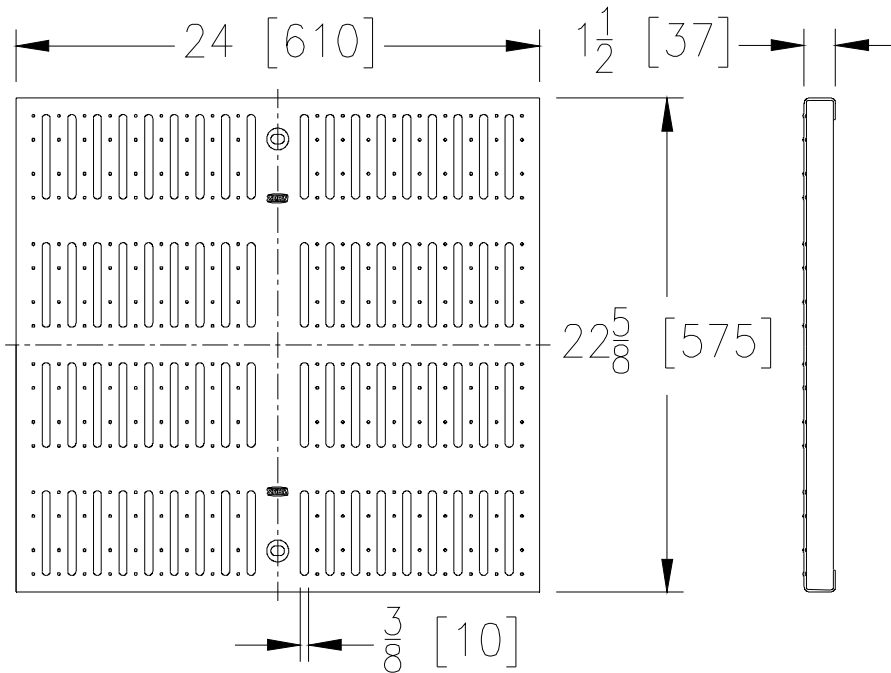


**P817-FG-24X24**  
24 [610] Wide Slotted Grate

Dimensional Data (inches and [ mm ]) are Subject to Manufacturing Tolerances and Change Without Notice

[Back to Index](#)

| Please Check<br>✓ | Item No. | Part Number | Item I.D.     |
|-------------------|----------|-------------|---------------|
|                   | 3        | 61022       | P817-FG-24X24 |



**FG GRATE ENGINEERING SPECIFICATION:** The Zurn P817-FG-24X24 Slotted Grate, Galvanized Steel, 24 inches wide by 22-1/2 inches long, weighing 46.2 lbs. The grate has an open area of 101 square inches, DIN Rating of A and ANSI Rating of Light-Duty.

| <b>FG - Slotted Grate</b> |                     |
|---------------------------|---------------------|
| Material:                 | Galvanized Steel    |
| DIN Rating:               | Class A             |
| Weight:                   | 46.2 lbs.           |
| Open Area:                | 101 in <sup>2</sup> |
| ANSI Rating:              | Light-Duty          |
| Application:              | Decorative          |
| Slot Width/Hole Size:     | 3/8                 |
| ADA:                      | Yes                 |
| H-20:                     | No                  |
| FAA:                      | No                  |



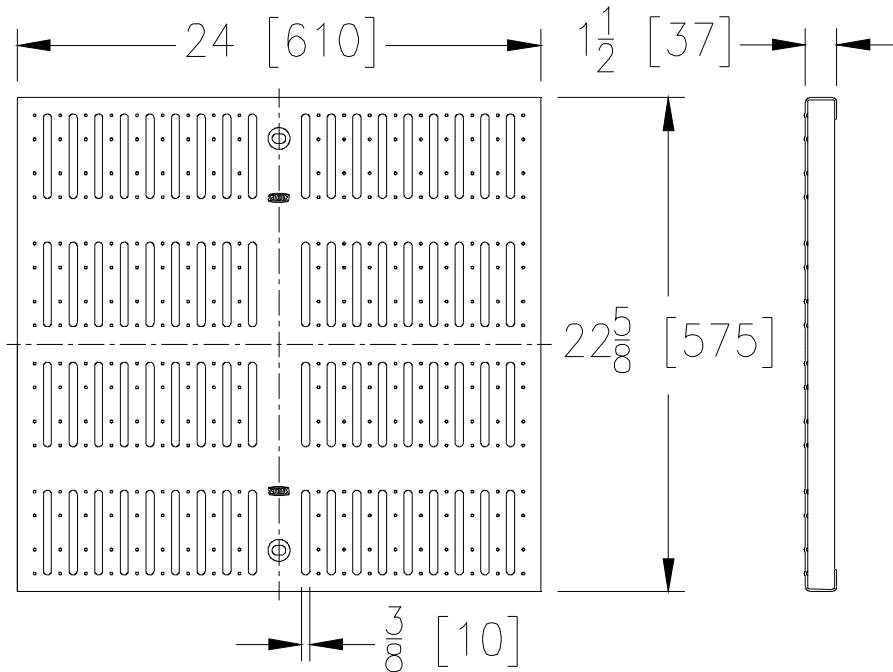
# P817-FS-24X24

## 24 [610] Wide Slotted Grate

Dimensional Data (inches and [ mm ]) are Subject to Manufacturing Tolerances and Change Without Notice

[Back to Index](#)

| Please Check | Item No. | Part Number | Item I.D.     |
|--------------|----------|-------------|---------------|
| ✓            | 4        | 61022       | P817-FS-24X24 |



**FS GRATE ENGINEERING SPECIFICATION:** The Zurn P817-FS-24X24 Slotted Grate, Stainless Steel, 24 inches wide by 22-5/8 inches long, weighing 47.5 lbs. The grate has an open area of 101 square inches, DIN Rating of A and ANSI Rating of Light-Duty.

| FS - Slotted Grate    |                     |
|-----------------------|---------------------|
| Material:             | Stainless Steel     |
| DIN Rating:           | Class A             |
| Weight:               | 47.5 lbs.           |
| Open Area:            | 101 in <sup>2</sup> |
| ANSI Rating:          | Light-Duty          |
| Application:          | Decorative          |
| Slot Width/Hole Size: | 3/8                 |
| ADA:                  | Yes                 |
| H-20:                 | No                  |
| FAA:                  | No                  |

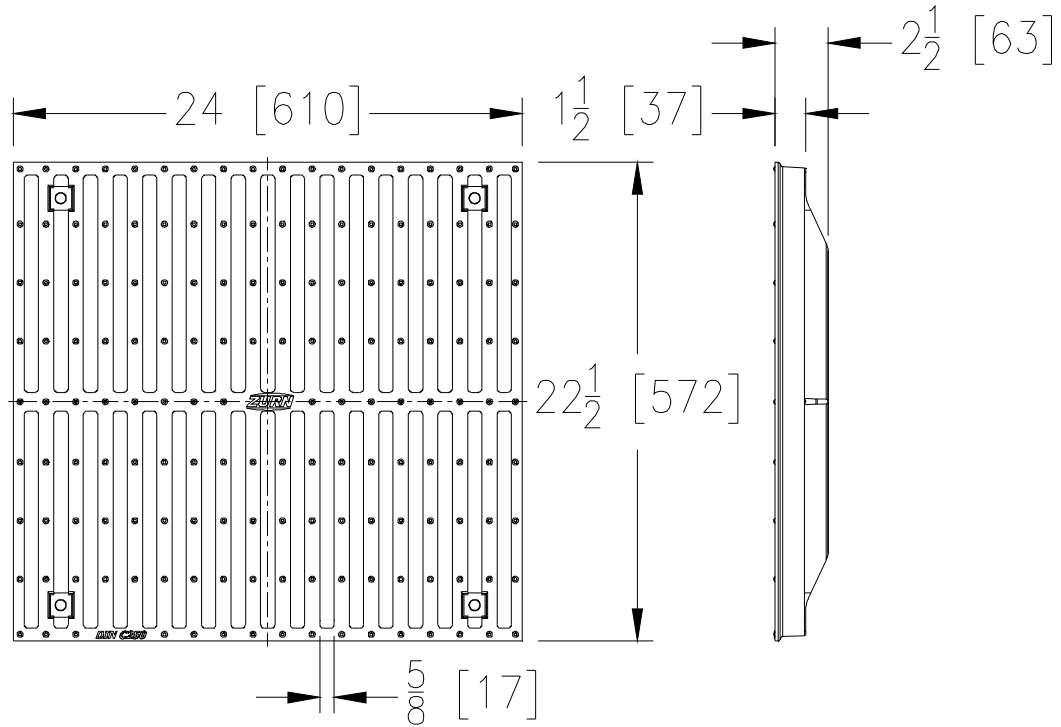


**P817-GDC-24X24**  
24 [610] Wide Slotted Grate

Dimensional Data (inches and [ mm ]) are Subject to Manufacturing Tolerances and Change Without Notice

[Back to Index](#)

| Please Check<br>✓ | Item No. | Part Number | Item I.D.      |
|-------------------|----------|-------------|----------------|
|                   | 5        | 60332       | P817-GDC-24X24 |



**GDC GRATE ENGINEERING SPECIFICATION:** The Zurn P817-GDC-24X24 Slotted Grate, Galvanized Ductile Iron, 24 inches wide by 22-1/2 inches long, weighing 95.8 lbs. The grate has an open area of 228.8 square inches, DIN Rating of C, ANSI Rating of Heavy-Duty, and H-20 load rated.

| <b>GDC - Slotted Grate</b> |                         |
|----------------------------|-------------------------|
| Material:                  | Galvanized Ductile Iron |
| DIN Rating:                | Class C                 |
| Weight:                    | 95.8 lbs.               |
| Open Area:                 | 228.8 in <sup>2</sup>   |
| ANSI Rating:               | Heavy-Duty              |
| Application:               | Heavy Vehicle + Truck   |
| Slot Width/Hole Size:      | 5/8                     |
| ADA:                       | No                      |
| H-20:                      | Yes                     |
| FAA:                       | No                      |

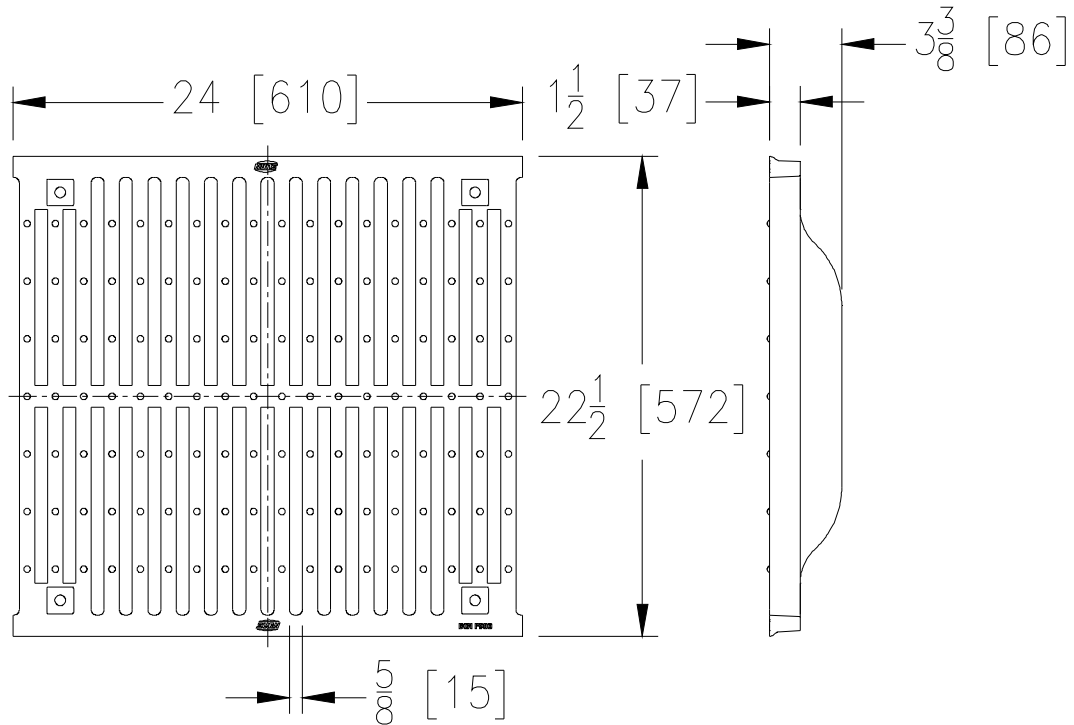


**P817-GDF-24X24**  
24 [610] Wide Slotted Grate

Dimensional Data (inches and [ mm ]) are Subject to Manufacturing Tolerances and Change Without Notice

[Back to Index](#)

| Please Check<br>✓ | Item No. | Part Number | Item I.D.      |
|-------------------|----------|-------------|----------------|
|                   | 6        | 82310       | P817-GDF-24X24 |



**GDF GRATE ENGINEERING SPECIFICATION:** The Zurn P817-GDF-24X24 Slotted Grate, Galvanized Ductile Iron, 24 inches wide by 22-1/2 inches long, weighing 115.1 lbs. The grate has an open area of 206.4 square inches, DIN Rating of F, ANSI Rating of Special Duty, H-20 load rated, and FAA load.

| <b>GDF - Slotted Grate</b> |                         |
|----------------------------|-------------------------|
| Material:                  | Galvanized Ductile Iron |
| DIN Rating:                | Class F                 |
| Weight:                    | 115.1 lbs.              |
| Open Area:                 | 206.4in <sup>2</sup>    |
| ANSI Rating:               | Special-Duty            |
| Application:               | Dynamic Loads           |
| Slot Width/Hole Size:      | 5/8                     |
| ADA:                       | No                      |
| H-20:                      | Yes                     |
| FAA:                       | Yes                     |

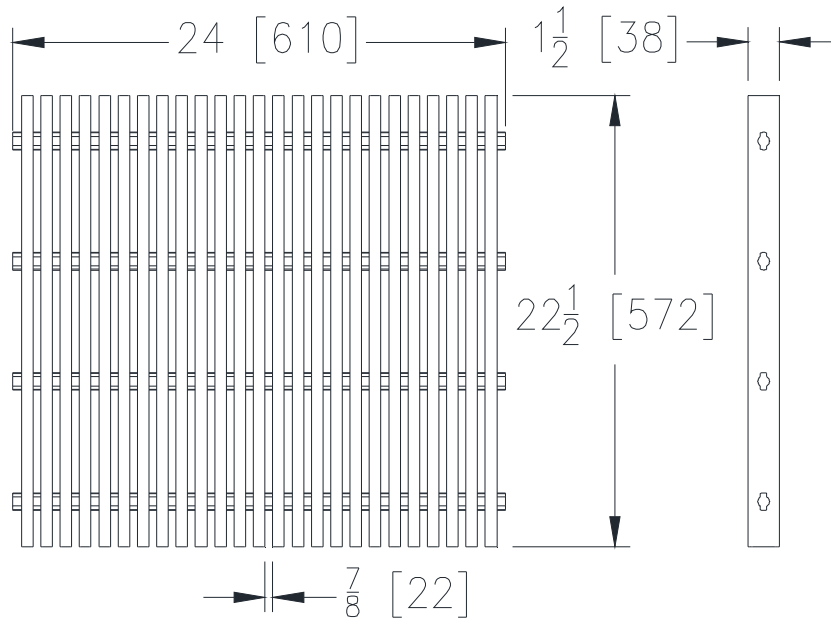


**P817-GG-24X24**  
24 [610] Wide Slotted Grate

Dimensional Data (inches and [ mm ]) are Subject to Manufacturing Tolerances and Change Without Notice

[Back to Index](#)

| Please Check<br>✓ | Item No. | Part Number | Item I.D.     |
|-------------------|----------|-------------|---------------|
|                   | 7        | 62237       | P817-GG-24X24 |



**GG GRATE ENGINEERING SPECIFICATION:** The Zurn P817-GG-24X24 Slotted Grate, Fiberglass, 24 inches wide by 22-1/2 inches long, weighing 15.29 lbs. The grate has an open area of 236.25 square inches, DIN Rating of A and ANSI Rating of Light-Duty.

| <b>GG - Slotted Grate</b> |                        |
|---------------------------|------------------------|
| Material:                 | Fiberglass             |
| DIN Rating:               | Class A                |
| Weight:                   | 15.9 lbs.              |
| Open Area:                | 236.25 in <sup>2</sup> |
| ANSI Rating:              | Light-Duty             |
| Application:              | Chemical Resistance    |
| Slot Width/Hole Size:     | 3/8                    |
| ADA:                      | No                     |
| H-20:                     | No                     |
| FAA:                      | No                     |



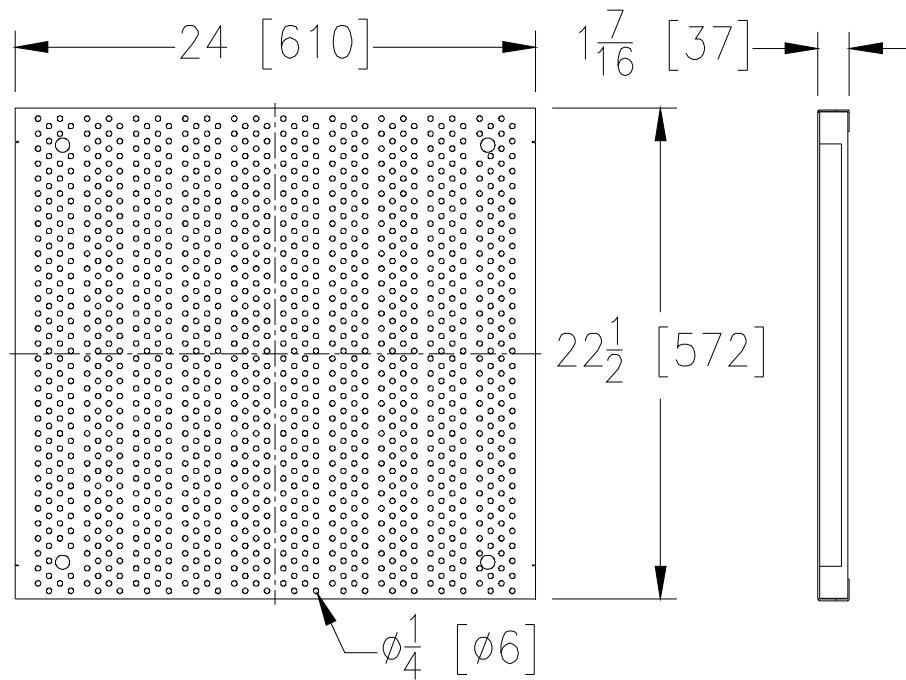
# P817-PG-24X24

## 24 [610] Wide Perforated Grate

Dimensional Data (inches and [ mm ]) are Subject to Manufacturing Tolerances and Change Without Notice

[Back to Index](#)

| Please Check | Item No. | Part Number | Item I.D.     |
|--------------|----------|-------------|---------------|
| ✓            | 8        | 61029       | P817-PG-24X24 |



**PG GRATE ENGINEERING SPECIFICATION:** The Zurn P817-PG-24X24 Perforated Grate, Galvanized Steel, 24 inches wide by 22-1/2 inches long, weighing 46.7 lbs. The grate has an open area of 62.5 square inches, DIN Rating of A, ANSI Rating of Light-Duty, ADA Compliant.

| PG - Perforated Grate |                       |
|-----------------------|-----------------------|
| Material:             | Galvanized Steel      |
| DIN Rating:           | Class A               |
| Weight:               | 46.7 lbs.             |
| Open Area:            | 62.5 in <sup>2</sup>  |
| ANSI Rating:          | Light-Duty            |
| Application:          | Decorative Heel-Proof |
| Slot Width/Hole Size: | 1/4                   |
| ADA:                  | Yes                   |
| H-20:                 | No                    |
| FAA:                  | No                    |



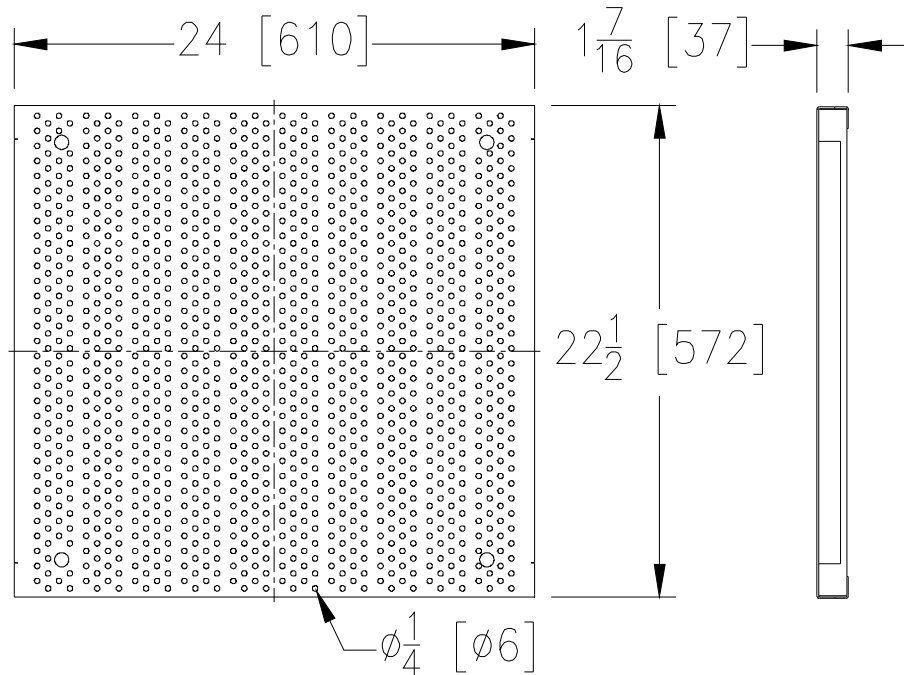


**P817-PS-24X24**  
24 [610] Wide Perforated Grate

Dimensional Data (inches and [ mm ]) are Subject to Manufacturing Tolerances and Change Without Notice

[Back to Index](#)

| Please Check | Item No. | Part Number | Item I.D.     |
|--------------|----------|-------------|---------------|
| ✓            | 9        | 61029       | P817-PS-24X24 |



**PS GRATE ENGINEERING SPECIFICATION:** The Zurn P817-PS-24X24 Perforated Grate, Stainless Steel, 24 inches wide by 22-1/2 inches long, weighing 48 lbs. The grate has an open area of 62.5 square inches, DIN Rating of A and ANSI Rating of Light-Duty.

| PS - Perforated Grate |                       |
|-----------------------|-----------------------|
| Material:             | Stainless Steel       |
| DIN Rating:           | Class A               |
| Weight:               | 48 lbs                |
| Open Area:            | 62.5 in <sup>2</sup>  |
| ANSI Rating:          | Light-Duty            |
| Application:          | Decorative Heel-Proof |
| Slot Width/Hole Size: | 1/4                   |
| ADA:                  | Yes                   |
| H-20:                 | No                    |
| FAA:                  | No                    |

## INDEX PAGE for 24" x 24" Wide Grates

---

 - Click on "Item ID" to go to grate page, 'Back to Index' will return you to this page.

P817-DGC-24X24 ..... Slotted Grate, Ductile Iron  
P817-DGF-24X24 ..... Slotted Grate, Ductile Iron  
P817-FG-24X24 ..... Fabricated Slotted Grate, Galvanized Steel  
P817-FS-24X24 ..... Fabricated Slotted Grate, Stainless Steel  
P817-GDC-24X24 ..... Slotted Grate, Galvanized Ductile Iron  
P817-GDF-24X24 ..... Slotted Grate, Galvanized Ductile Iron  
P817-GG-24X24 ..... Slotted Grate, Fiberglass  
P817-PG-24X24 ..... Fabricated Perforated Grate, Galvanized Steel  
P817-PS-24X24 ..... Fabricated Perforated Grate, Stainless Steel

---

**Form #** FT998    **Date:** 09/26/13    **C.N. No.** 129982    **Rev.** A

ZURN INDUSTRIES, LLC ♦ SPECIFICATION DRAINAGE OPERATION ♦ 1801 Pittsburgh Ave. ♦ Erie, PA 16514

Phone: 814/455-0921 ♦ Fax: 814/454-7929 ♦ World Wide Web: [www.zurn.com](http://www.zurn.com)

In Canada: ZURN INDUSTRIES LIMITED ♦ 3544 Nashua Drive ♦ Mississauga, Ontario L4V1L2 ♦ Phone: 905/405-8272 Fax: 905/405-1292